

C.SCOPE



C.SCOPE **MXL & MXT**

High Performance Precision Pipe and Cable Locator

www.cscope.co.uk

C.SCOPE MXL & MXT

Detect and trace buried services simply, quickly and accurately with the C.Scope MXL and MXT high performance Pipe and Cable Locating Equipment.

Hitting and damaging buried services when excavating can result in personal injury, costly repairs and disruption to work.

The best way to avoid damaging buried services is to pinpoint their exact position, route and depth BEFORE work begins using the MXL and MXT Locating Equipment.

Detect, Identify & Trace Pipe and Cable networks.

The MXL and MXT are designed to detect, identify and trace specific buried pipes and cables reliably and accurately, even in the most congested areas.

The highly versatile MXL and MXT will provide significant benefits to all levels of staff across a wide range of industries.

Easy to use.

The MXL and MXT is truly a 'pick-up-and-go' locating package. ANYONE who has used a Cable Avoidance Tool in the past will be able to use the MXL and MXT and benefit from the higher performance provided.

Built to last.

Nothing comes close to matching the durability and strength of our design, giving the typical excavation operative confidence that the MXL and MXT will provide reliable locating, time after time.

Depth Measurement and Signal Current Measurement.

Unparalleled 'locate and identify' performance make the MXL and MXT the ideal choice for the utility or maintenance technician.

All Scan.

The innovative AllScan Mode with controllable sensitivity is invaluable to surveyors when a complete site survey is required. The AllScan Mode allows you to search in ALL frequencies in the range of 50Hz to 33kHz even detecting signals missed by the other conventional search modes.

Multi Frequency.

The MXT is a multi frequency, higher power transmitter that is especially useful for the utility technician. With three signal frequencies to choose from, plus triple the power output of other Signal Generators, the MXT provides longer distance tracing than was previously possible.

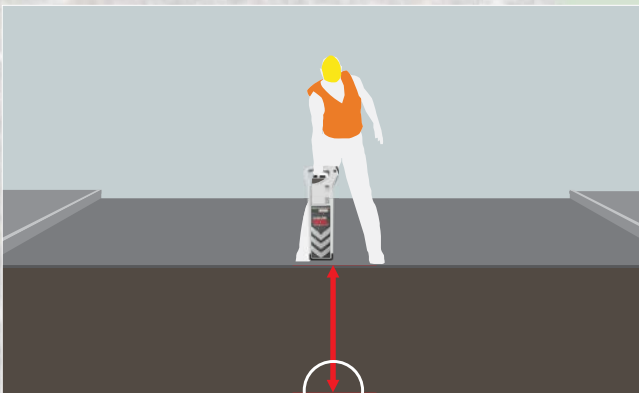


C.Scope MXL
Locator

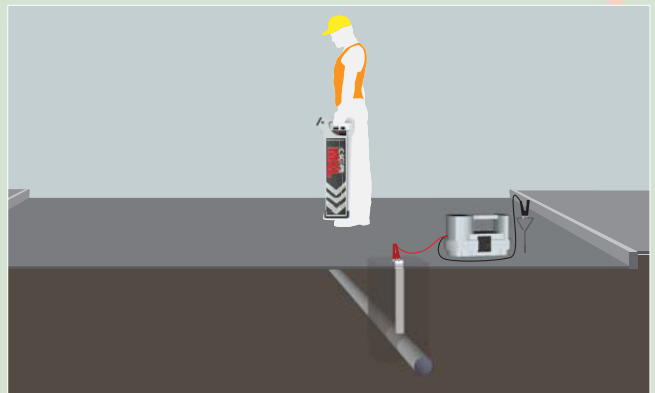


C.Scope MXT
Transmitter

DEPTH MEASUREMENT



SIGNAL CURRENT MEASUREMENT



C.SCOPE MXL

The MXL Locator uses the latest in digital signal processing to allow quick and clear tracing of pipes and cables in even the most difficult of environments. FOUR separate locating modes including the new AllScan mode make the MXL the most versatile of Locators. Push button Depth Measurement and Signal Current Measurement features allow buried services to be identified quickly and accurately.

- **CLASSIC POWER MODE** operation allows most buried power cables to be detected and traced quickly and effectively using the MXL Locator alone.
- **SHARP AND SENSITIVE RADIO MODE** will detect many of the other buried metallic services, again using just the MXL Locator alone.
- **MULTI FREQUENCY TRANSMITTER MODE** to detect 33kHz, 8kHz and 512Hz/640Hz signals from the MXT Transmitter or a Sonde.
- **INNOVATIVE ALLSCAN MODE** uniquely listens for all frequencies ranging from the lowest of the Power signals right up to and including 33kHz. This great, new all-in-one mode detects unusual frequency signals present on pipes and cables as well as the conventional Power, Radio or Transmitter Modes. AllScan Mode can often **speed up the locating process** with just one sweep of the site.
- **DEPTH MEASUREMENT** shows the depth of buried pipes and cables at the push of a button. The **advanced digital signal processing** of the MXL Locator offers greater accuracy than previously possible.
- **SIGNAL CURRENT MEASUREMENT** is a further development on from Depth Measurement. The MXL can monitor the true strength of the MXT Transmitter signal applied to a buried service irrespective of its depth. Ideal for **identifying the layout of a pipe or cable network**.

The **rugged case design** cleverly protects all controls from accidental damage. Built to the industry leading **IP65 standard** for outstanding protection against water and dust ingress.

User replaceable wear foot fitted to the base of the blade.

Powered by simple, readily available batteries that provide an exceptionally **long operating life**. No need to charge up a set of expensive rechargeable batteries the night before. The MXL is uniquely designed with capacity to carry a spare, **ready-to-use battery pack** at all times.

Clear audible response provided by the **Loudspeaker**. In noisy environments, the Loudspeaker can be **extended** from the MXL. Separate, easily lost or damaged headphones are not required.

Robust liquid crystal display that shows a **clear and accurate 'peak' response** when detecting a signal. The display is concise and uncluttered, there are **no menus** to scroll through and **no configuring** is required making the MXL exceptionally quick and easy to operate.

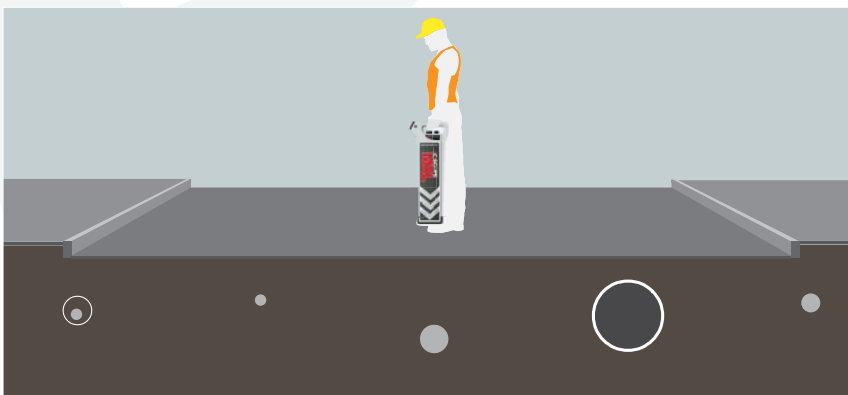
Automatic backlight that is activated in low light conditions.

Trigger operated On/ Off Switch maximises battery life.

C.Scope MXL
Locator



INNOVATIVE ALLSCAN MODE WITH CONTROLLABLE SENSITIVITY



LIQUID CRYSTAL DISPLAY
WITH AUTOMATIC BACKLIGHT



C.SCOPE MXT

The MXT Transmitter is a multi frequency, higher power Transmitter that is especially useful for the utility technician. Three signal frequencies to choose from. Three times the power output of the popular SGA or SGV Signal Generators. The MXT provides longer distance tracing than previously possible.

- **CLASS LEADING ONE WATT POWER OUTPUT.**

Three times the power output of standard Signal Generators providing longer distance tracing.

- **FOUR POSITION POWER LEVEL ADJUSTMENT.**

YOU control how much power to use and when.

- **PULSED OR CONTINUOUS SIGNAL OUTPUT.**

Switch to the Pulsed Mode, at the push of a button, in high interference situations and keep on tracing.

- **CHOICE OF THREE SIGNAL FREQUENCIES.**

Use **33kHz** for most applications; **8kHz** for longer distance tracing and the ultra low **512Hz/640Hz** for specialist tracing.

The MXT has a **clear audible signal output** to indicate when the Transmitter is in operation and also features an **inbuilt mute control**.

Multi-segment liquid crystal display provides clear information about functions selected. The display also shows the all important battery condition so you always know exactly how much battery life you have at your disposal.

Stylish, **robust and lightweight case construction** as used on our successful and industry leading SGA and SGV Signal Generators. Built to **IP65 standards** of dust and water resistance; the highest standard for any Transmitter.

- **STANDARD ACCESSORIES**

- Direct Connection Leads
- Earth Stake
- Connection Magnets
- 10m Auxilliary Earth Lead

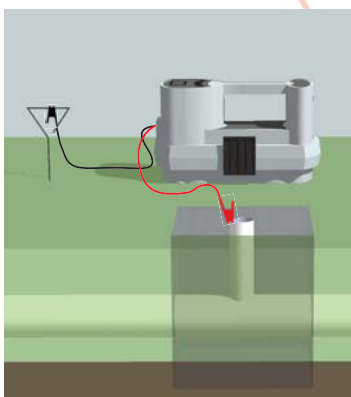
Large, easy to open, integral accessories tray that can house not only the standard accessories but also many of the optional extras such as Signal Clamps, Sondes and Signal Injectors.

Four **standard batteries** provide **long operating life**.

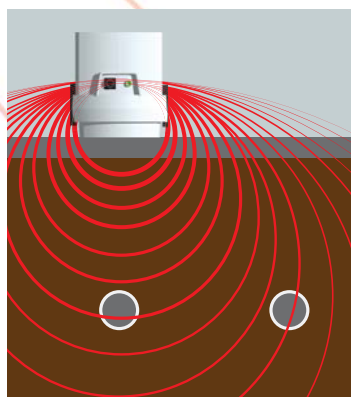
No need to charge up a set of expensive rechargeable batteries the night before.



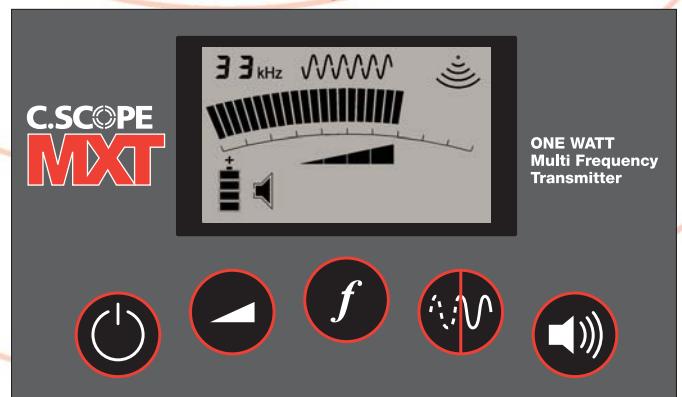
DIRECT CONNECTION



INDUCTION



MULTI SEGMENT LIQUID CRYSTAL DISPLAY



TECHNICAL SPECIFICATION

C.SCOPE **MXL** PRECISION PIPE AND CABLE LOCATOR
 C.SCOPE **MXT** 1 WATT MULTI FREQUENCY TRANSMITTER



C.SCOPE **MXL** PRECISION PIPE AND CABLE LOCATOR TECHNICAL SPECIFICATION

Mode/ Feature	Frequency (Hertz)	Sensitivity @1m depth	Detection Depth
Power	50-400	5mA	up to 3m
Radio	10-30k	25µA	up to 2m
Transmitter 33kHz	32,768	5µA	up to 3m
Transmitter 8kHz	8,192	100µA	up to 3m
Transmitter 512Hz/640Hz	512/640	500µA	up to 3m
All/Scan	50-33k	100µA	up to 3m
Depth Measurement	33k, 8k, 512/640		0.05m - 3m
Signal Current Measurement	33k, 8k, 512/640		up to 3m
Sondes Depth Range	33k, 8k		0.2m - 9.9m

- **Product Name:** MXL LOCATOR
- **Part No.:** ZCSMXL-33-8-640 or ZCSMXL-33-8-512
- **Product Dimensions:** 720 x 280 x 65mm
- **Weight:** 2.6kg incl. batteries. 2.4kg excl. batteries.
- **Batteries:** 8x 'AA' (LR6) cells alkaline batteries typically giving up to 40 hours intermittent use at 20°C. Compatible with NiMH rechargeable batteries.
- **Temperature Range:** -20°C to +50°C
- **IP Rating:** IP65
- **Approvals:** CE
- **Warranty:** 12 months.

C.SCOPE **MXT** 1 WATT MULTI FREQUENCY TRANSMITTER TECHNICAL SPECIFICATION

Mode/ Feature	Frequency (Hertz)	Tracing Distance	Direct Connection	Signal Clamp	Signal Injector	Induction
Transmitter 33kHz	32,768	Medium	Yes	Yes	Yes	Yes
Transmitter 8kHz	8,192	Medium/Long	Yes	Yes	Yes	Yes
Transmitter 512Hz/640Hz	512/640	Long	Yes	No	No	No

MXT 1 WATT MULTI FREQUENCY TRANSMITTER including Direct Connection Lead, Auxiliary 10m Earth Lead, Connection Magnets, Accessory Tray and Earth Stake.



C.SCOPE MXT

- **Product Name:** MXT TRANSMITTER
- **Part No.:** ZCSMXT-33-8-640 or ZCSMXT-33-8-512
- **Output Power:** Switchable through four levels up to a maximum of One Watt.
- **Product Dimensions:** 360 x 180 x 230mm
- **Weight:** 3.4kg incl. accessories. 2.0kg unit only.
- **Batteries:** 4x D (LR20) alkaline batteries typically giving up to 30 hours intermittent use at 20°C. Compatible with NiMH rechargeable batteries.
- **Temperature Range:** -20°C to +50°C
- **IP Rating:** IP65
- **Approvals:** CE, EN300-330, EN301-489
- **Warranty:** 12 months.

C.SCOPE

C.SCOPE PRODUCT RANGE



	CABLE AVOIDANCE TOOL	CABLE AVOIDANCE TOOL XD	MXL LOCATOR	SGA SIGNAL GENERATOR	SGV SIGNAL GENERATOR	MXT TRANSMITTER
Power	✓	✓	✓			
Radio	✓	✓	✓			
Transmitter	✓	✓	✓			
All/Scan	X	X	✓			
Depth	X	✓	✓			
Signal Current	X	X	✓			
Frequencies	33kHz	33kHz	512/640Hz, 8kHz, 33kHz	33kHz	33kHz	512/640Hz, 8kHz, 33kHz
Visual Indication	✓	✓	✓	X	✓	✓
Pulsed/ Continuous				✓	✓	✓
Max. Output				300mW	300mW	1W

C.SCOPE has a range of products to suit all pipe and cable locating requirements. For further details of the **Cable Avoidance Tool, Cable Avoidance Tool XD, SGA and SGV Signal Generators** please ask for a **C.SCOPE PIPE & CABLE AVOIDANCE TOOLS brochure**.

C.SCOPE ACCESSORIES RANGE



C.SCOPE also produce a wide range of **LOCATOR ACCESSORIES**. For further details on the **SIGNAL CLAMP, SIGNAL INJECTOR, PLASTIC PIPE TRACERS, GENERAL PURPOSE SONDES, DUCT SONDE, SPRING COUPLING** and **EQUIPMENT CARRY BAGS** please ask for a **C.SCOPE LOCATOR ACCESSORIES brochure**.

C.SCOPE **MXL & MXT**

High Performance Precision Pipe and Cable Locator

C.SCOPE INTERNATIONAL LTD
Kingsnorth Technology Park
Wotton Road
Ashford
Kent TN23 6LN
United Kingdom
Telephone +44(0)1233 629181
Fax +44(0)1233 645897
email info@cscope.co.uk

www.cscope.co.uk

C-Scope has a policy of continuous product development and reserves the right to change the design, specification and labelling without notice. All errors and omissions excepted.

All C.SCOPE products are manufactured under a quality system accredited to ISO9001:2008

